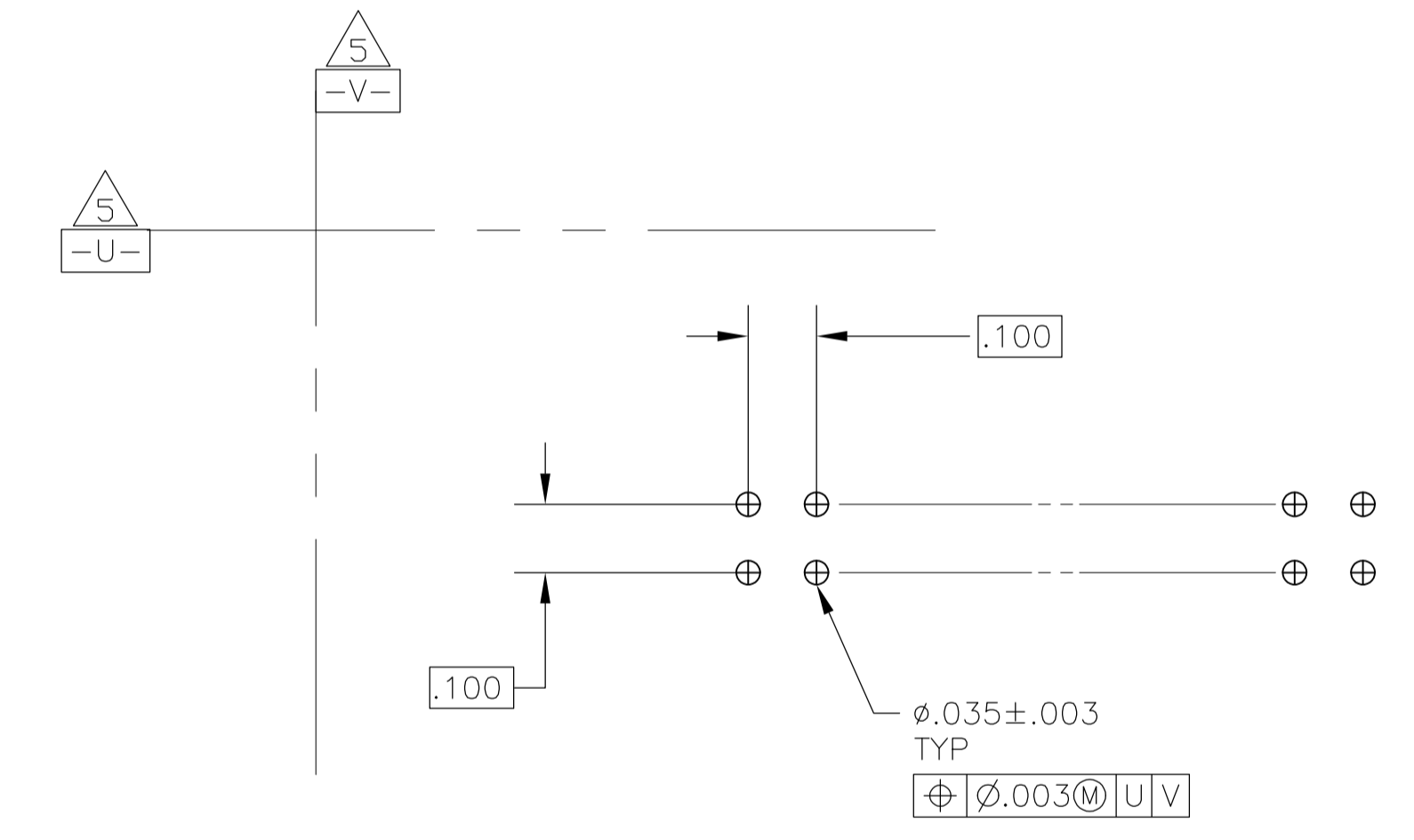
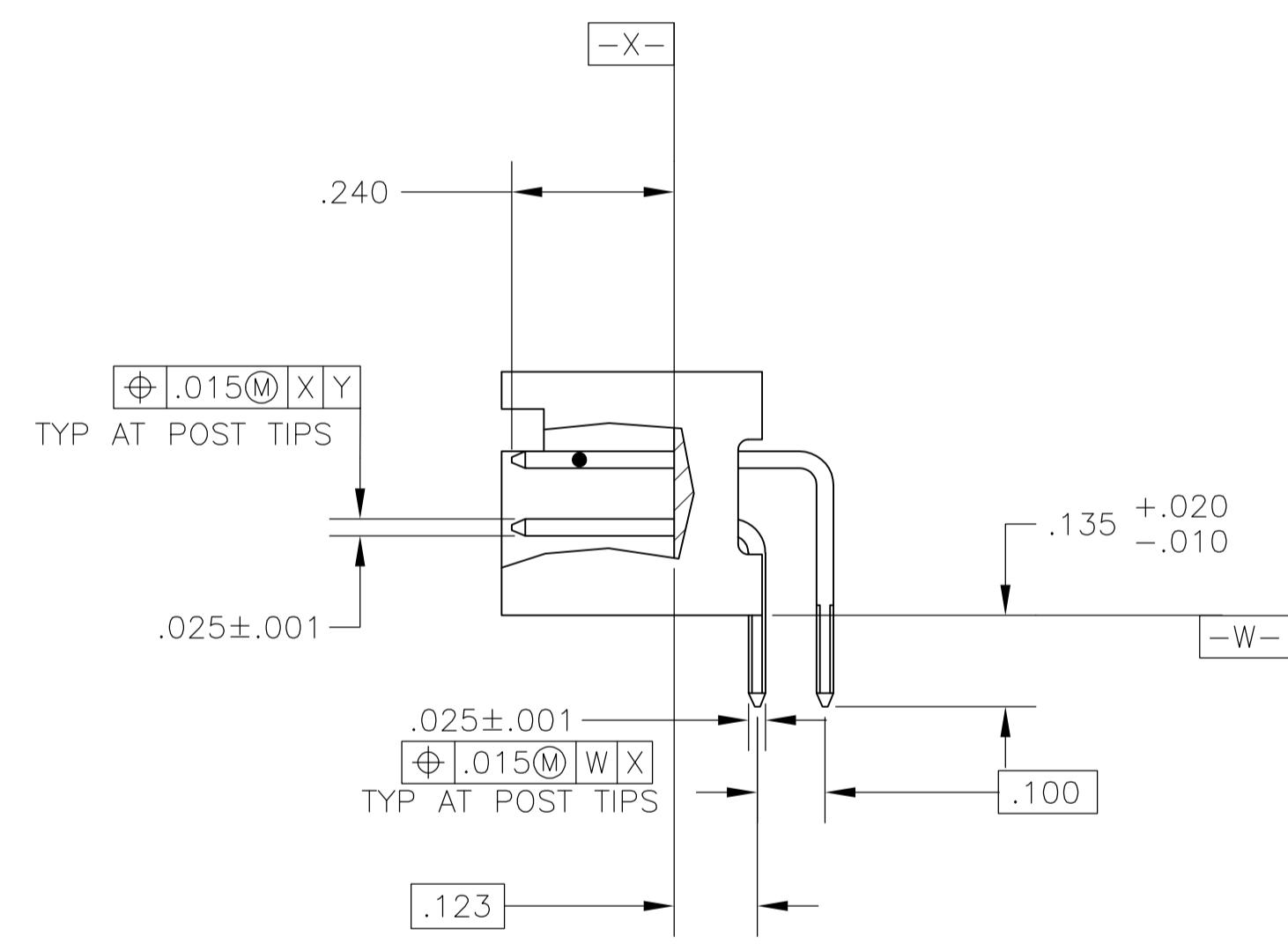
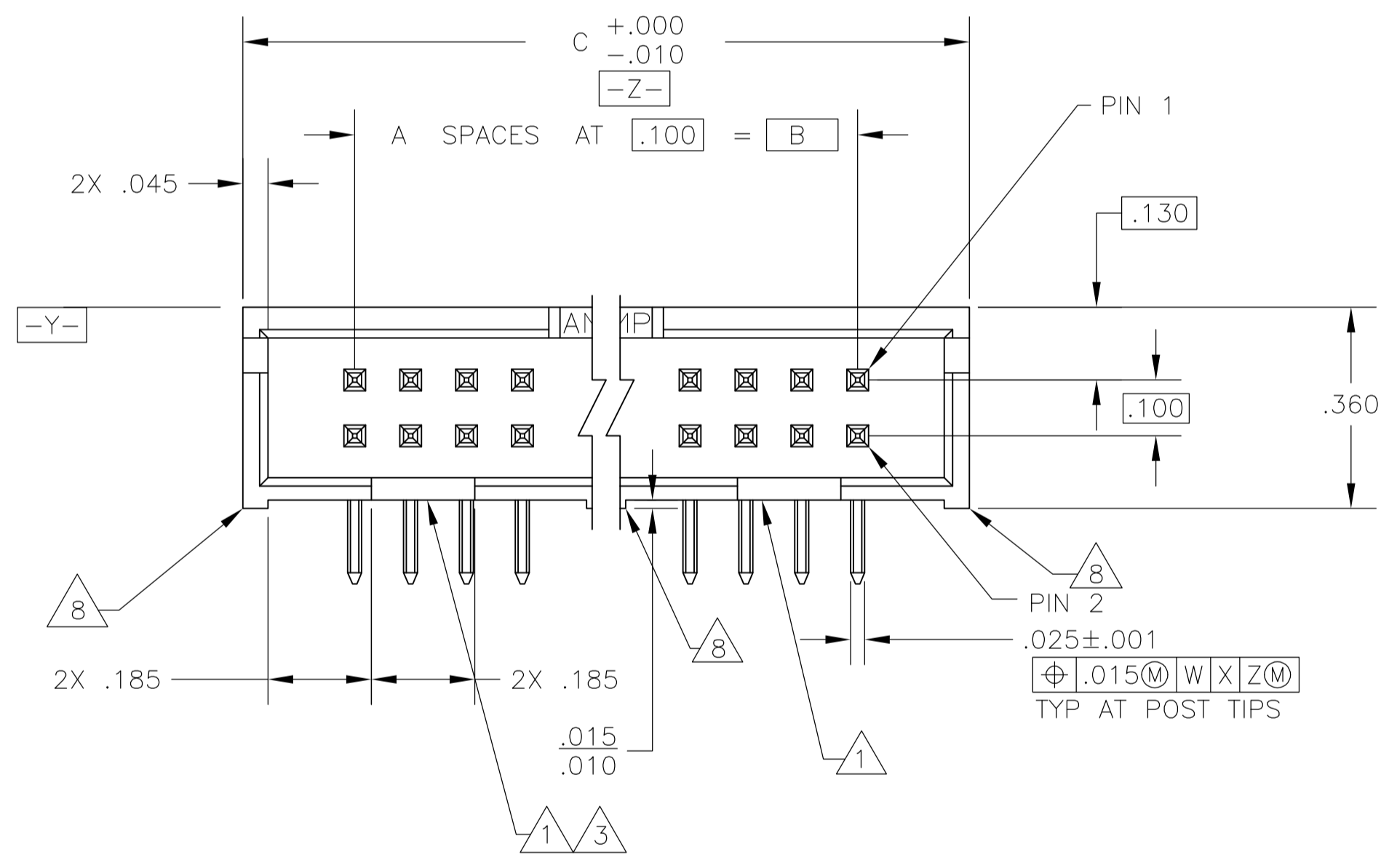
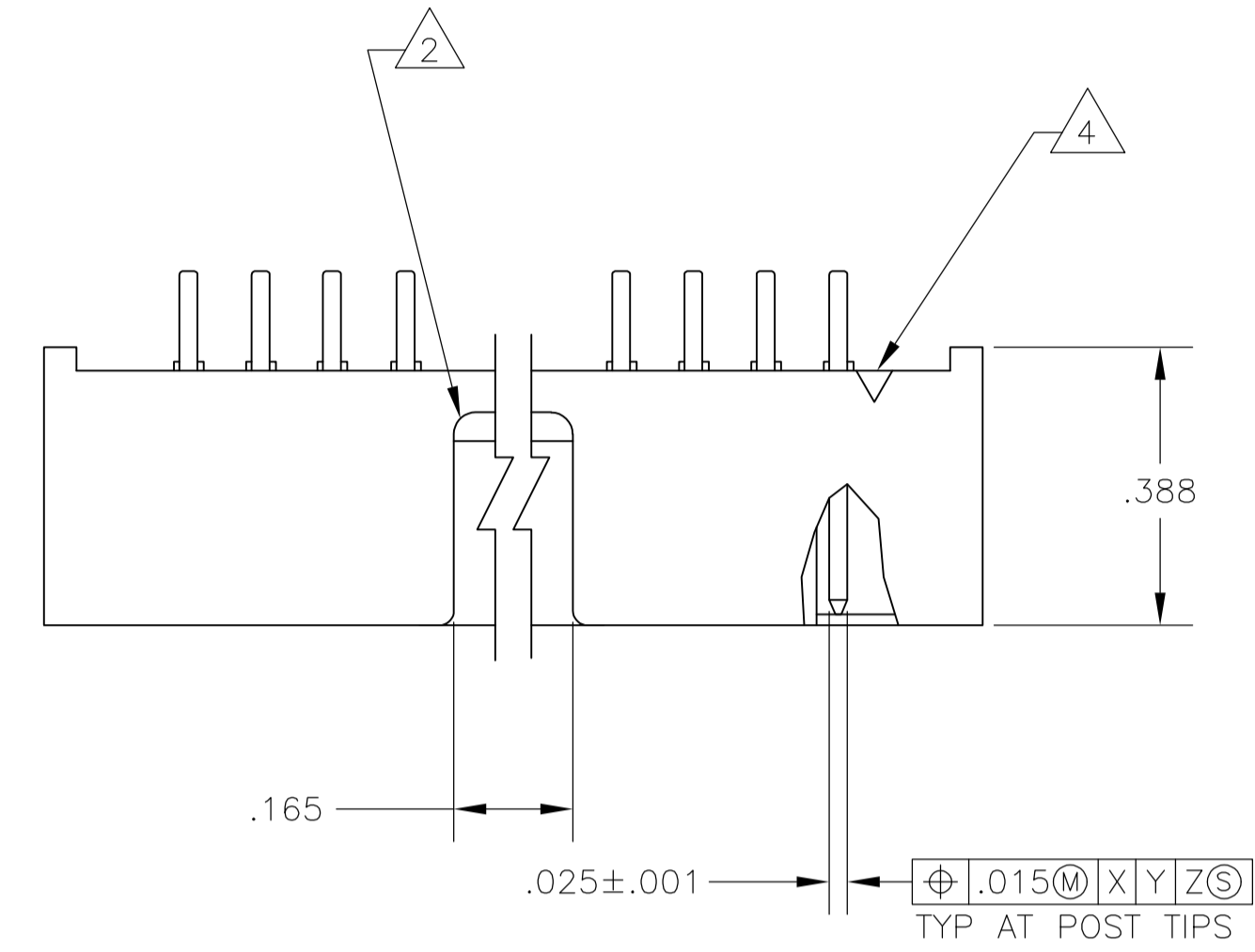


- 1 DOUBLE BAR POLARIZATION SLOTS.
- 2 CENTER POLARIZATION SLOT.
- 3 FOR 10 POSN ASSEMBLY, SLOT OMITTED IN THIS LOCATION.
- 4 NUMBER 1 POSITION INDICATOR.
- 5 DATUMS U & V TO BE ESTABLISHED BY THE CUSTOMER.
- 6 HOUSING: GLASS FILLED NYLON OR PBT, BLACK, UL 94V-0 RATED. POSTS: BRASS.
- 7 POSTS: GOLD FLASH OVER PALLADIUM-NICKEL PLATE, .000030 MIN TOTAL ON THE MATING SURFACES, .000100 MIN TIN PLATE ON THE SOLDER-TAILS, .000050 MIN NICKEL UNDERPLATE ON THE ENTIRE POST.  
-OR-  
.000030 MIN GOLD PLATE ON THE MATING SURFACES, .000100 MIN TIN PLATE ON THE SOLDER-TAILS, .000050 MIN NICKEL UNDERPLATE ON THE ENTIRE POST.
- 8 STANDOFFS: ALL POSITION SIZES- 2 LOCATED AT ENDS OF HOUSING. 20 THRU 34 POSITION SIZES-1 ADDITIONAL STANDOFF CENTERED ON HOUSING. 40 THRU 60 POSITION SIZES- 2 ADDITIONAL STANDOFFS EVENLY SPACED WITHIN REMAINING LENGTH OF HOUSING.



RECOMMENDED PCB LAYOUT

3.300	2.900	29	60	1-5103311-2
2.800	2.400	24	50	1-5103311-0
2.500	2.100	21	44	5103311-9
2.300	1.900	19	40	5103311-8
2.000	1.600	16	34	5103311-7
1.600	1.200	12	26	5103311-6
1.300	.900	9	20	5103311-5
1.100	.700	7	16	5103311-3
1.000	.600	6	14	5103311-2
.800	.400	4	10	5103311-1
C	B	A	NO OF POSN	PART NUMBER

THIS DRAWING IS A CONTROLLED DOCUMENT.

DIMENSIONS: INCHES	TOLERANCES UNLESS OTHERWISE SPECIFIED:	0 PLC ± -	1 PLC ± -	2 PLC ± -	3 PLC ± .005	4 PLC ± -	ANGLES ± -
MATERIAL 6		FINISH 7		WEIGHT		SCALE 4:1	

DWN: B. LATTUCA 03 NOV 05  
 CHK: S. BOLASH 03 NOV 05  
 APVD: M. WALMSLEY 03 NOV 05  
 NAME: M. WALMSLEY  
 PRODUCT SPEC: 108-40018  
 APPLICATION SPEC: -  
 SIZE: A1  
 CAGE CODE: 00779  
 DRAWING NO: 5103311  
 RESTRICTED TO: -  
 CUSTOMER DRAWING  
 SHEET 1 OF 1  
 REV F1

**STE** TE Connectivity  
 HEADER ASSY, RIGHT ANGLE, LOW PROFILE, AMP-LATCH